

# Valery technologies



## E-CONCEPT SPRAY GEL CABIN

Ref. TB.5.00 of 06/02/2024

TECHNICAL BROCHURE

# Valery technologies

## DESCRIPTION

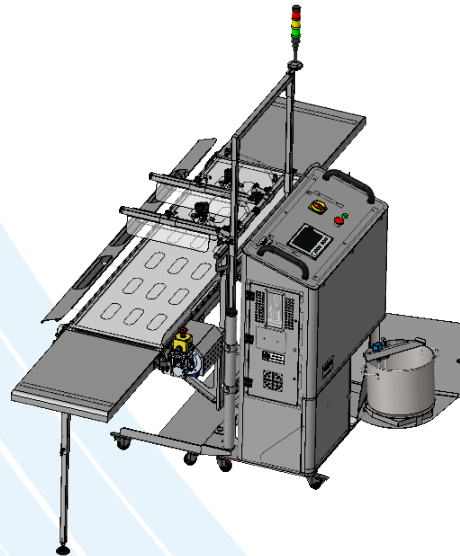
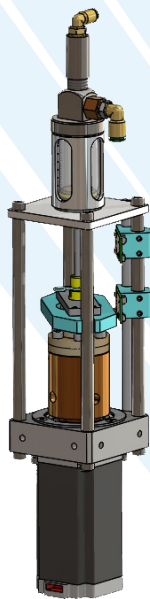
The E-Concept spray/gel cabin is a full electric and automatic machine, tough to administrate live respiratory and gel vaccine. The device is the perfect choose for medium and large hatchery, specially hatchery with automated system inside.



The Machine is controlled by a PLC Elco top 7-s, this kind of control permit to set up the machine very easily and precisely. One of the biggest advantage of the PLC is also the possibility to store multiple recipe, for example you can calibrate the machine 1 time for two type of boxes and save the parameters. Then in the morning just choose the recipe and start the production.

By the PLC you can also bring data about the production, like how many boxes you vaccinated.

The machine administrate the vaccine thanks to a special mechanical pumping system designed and produced in by Valery. This pumping system permit you to dispense a dose every 0.5 second, and ensure the dose thanks to the graduated cylinder.



The machine thanks to the PLC and the photocell installed on is able to adapt to every hatchery conveyor system. In case your hatchery do not have a conveyor system the machine can be supplied with his own conveyor. This conveyor can be also disassembled in case you have your own conveyor system.

Valery Technologies is a division of Giordano Poultry Plast SpA  
Via Bernezzo, 47 12023 Caraglio (CN) Italy  
Tel: +39 0171 619715 - Email: [info@valerytech.net](mailto:info@valerytech.net)  
P.IVA 00276390044

# Valery

technologies



## SPECIFICATION

<b>CAPACITY:</b>	Up to 360'000 chicks per hour
<b>WEIGHT:</b>	Machine 108kg; Conveyor 94kg
<b>DIMENSIONS (HxDxL):</b>	Without Conveyor -> 193 x 113 x 83 cm With Conveyor -> 193 x 113 x 293 cm
<b>INCLUDED WITH THE MACHINE:</b>	Two tanks of 15l capacity Basic spare parts kit Extra nozzle-needle
<b>MATERIALS:</b>	Stainless steel Food grade plastic Rubber Polycarbonate

Valery Technologies is a division of Giordano Poultry Plast SpA  
Via Bernezzo, 47 12023 Caraglio (CN) Italy  
Tel: +39 0171 619715 - Email: [info@valerytech.net](mailto:info@valerytech.net)  
P.IVA 00276390044



**Valery Technologies is a division of Giordano Poultry Plast SpA**

Via Bernezzo, 47 12023 Caraglio (CN) Italy

Tel. +39 0171 619715 - Email: [info@valerytech.net](mailto:info@valerytech.net)