

GIORDANO

PNEU-CABINS

VACCINATION DEVICES



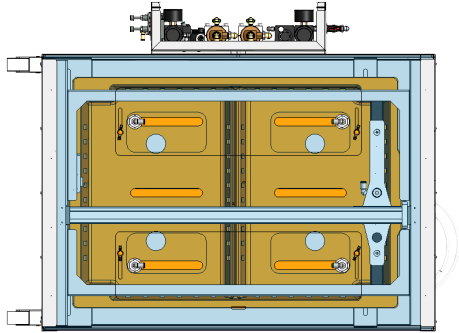
EVO CAB

Ref TB.2.00 of 28/08/2024

TECHNICAL BROCHURE

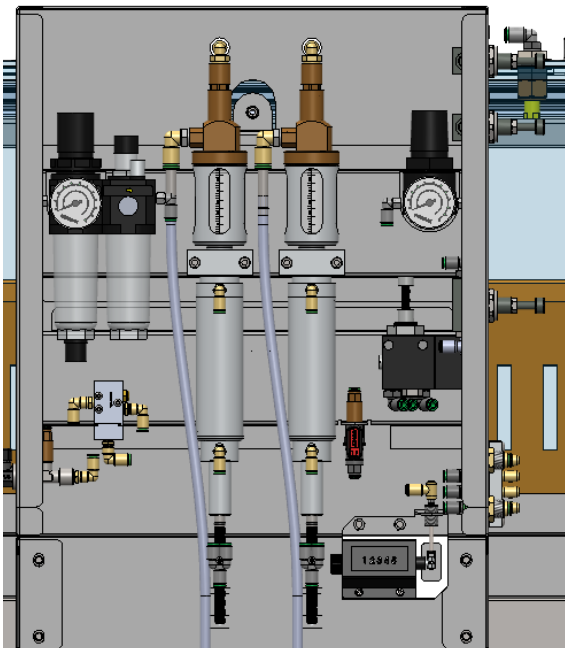
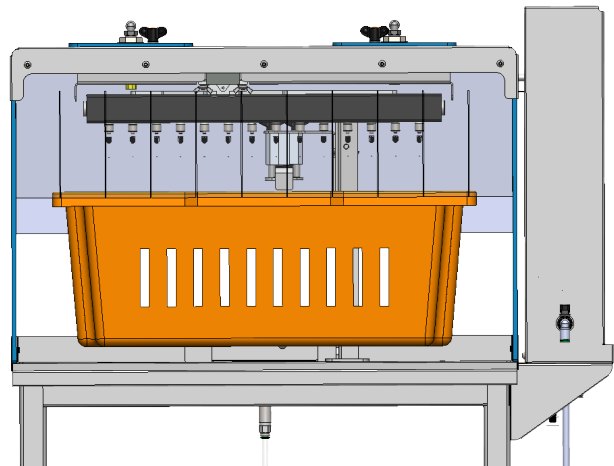
DESCRIPTION

Pneu-Cabin Spray/Gel Manual Evo, is the evolution of the ELITE Valery Cabinets. Is thought to admistrate gel and spray vaccine simultaneously or individually. The price and easy set up make it the perfect product for small and medium hatcheries.



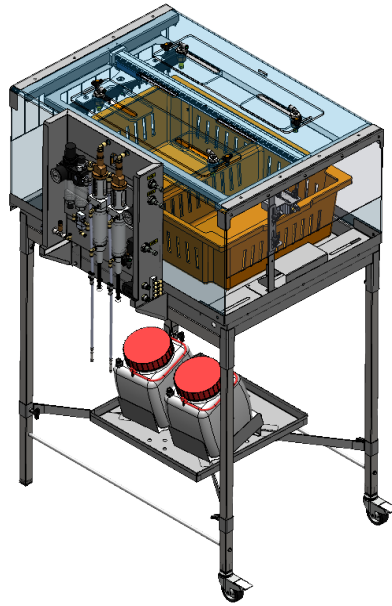
All the parameter are adjustable using the command box on the front of the machine, also the speed of the bar and of the piston. That perm it to you to adapt the dispensing to every kind of box and gel product.

The device Is equipped with 4 nozzle adjustable in length and width direction to fit with every box, and a gel bar with 14 needle that moves trough the cabin to cover all the chick box.



After few test on the machine, simulating a 'standard' condition, (18ml spray; 25ml gel; 100 chicks) the machine complete a full cycle of administration in about 8-10 seconds (including the operation of insert and take out the box).

The machine like every other cabinet work at least at 5 bar of pressure and is equipped with a system to lock the box until the end of administration, to ensure that every box will be fully vaccinated. 2 tanks of 10 liters will supplied with the machine.



SPECIFICATION

CAPACITY:	Up to 36'000 chicks per hour
WEIGHT:	39 Kg
DIMENSIONS (HxDxL):	118 x 52 x 81 cm
INCLUDED WITH THE MACHINE:	Basic spare parts kit 2 tanks of 10 liters Extra nozzle needle
MATERIALS:	Stainless steel Food grade plastic Rubber Polycarbonate



Giordano Poultry Plast SpA
Via Bernezzo, 47 12023
Caraglio (CN) Italy
+39 0171619715

info@giordanoglobal.com
www.giordanoglobal.com