

GIORDANO

VACCINATION DEVICES



E-CONCEPT
Ref TB.5.00 of 28/08/2024

TECHNICAL BROCHURE

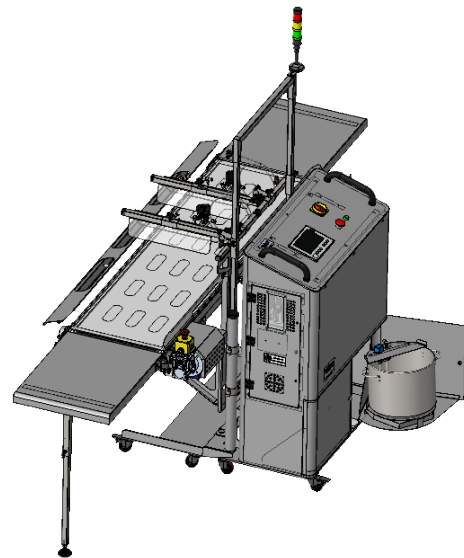
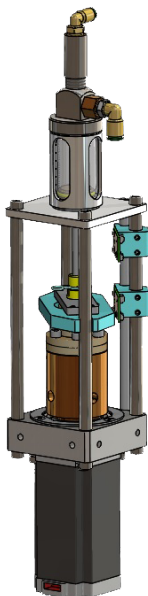
DESCRIPTION

The E-Concept spray/gel cabin is a full electric and automatic machine, tough to administrate live respiratory and gel vaccine. The device is the perfect choose for medium and large hatchery, specially hatchery with automated system inside.



The Machine is controlled by a PLC Elco top 7-s, this kind of control permit to set up the machine very easily and precisely. One of the biggest advantage of the PLC is also the possibility to store multiple recipe, for example you can calibrate the machine 1 time for two type of boxes and save the parameters. Then in the morning just choose the recipe and start the production. By the PLC you can also bring data about the production, like how many boxes you vaccinated.

The machine administrate the vaccine thanks to a special mechanical pumping system designed and produced in by Valery. This pumping system permit you to dispense a dose every 0.5 second, and ensure the dose thanks to the graduated cylinder.

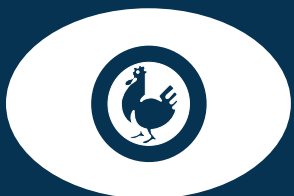


The machine thanks to the PLC and the photocell installed on is able to adapt to every hatchery conveyor system. In case your hatchery do not have a conveyor system the machine can be supplied with his own conveyor. This conveyor can be also disassembled in case you have your own conveyor system.



SPECIFICATION

CAPACITY:	Up to 240'000 chicks per hour
WEIGHT:	Machine 108kg; Conveyor 94kg
DIMENSIONS (HxDxL):	Without Conveyor -> 193 x 113 x 83 cm With Conveyor -> 193 x 113 x 293 cm
INCLUDED WITH THE MACHINE:	Two tanks of 15l capacity Basic spare parts kit Extra nozzle-needle
MATERIALS:	Stainless steel Food grade plastic Rubber Polycarbonate



GIORDANO



Giordano Poultry Plast SpA
Via Bernezzo, 47 12023
Caraglio (CN) Italy
+39 0171619715

info@giordanoglobal.com
www.giordanoglobal.com