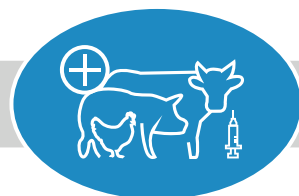


**GIORDANO**

VACCINATION DEVICES



TECHNICAL BROCHURE

Manual Cabins

**ELITE CAB-MONO**

Ref TB.4.00

# ELITE CAB-MONO

User-friendly fully pneumatic device designed for the application of live vaccines, offering high flexibility and easy setup:

- **Adjustable and lockable delivery volume from 5 to 30 ml;**
- **Different nozzle types** available, covering droplet sizes from **below 100 µm up to 300 µm**, suitable for all spray applications;
- **Wide nozzle movement range** to ensure complete and uniform coverage of the crates;
- **10 L plastic tank;**
- **Integrated adjustable crate-locking mechanism** to prevent movement during the vaccination process;
- **Built-in mechanical counter;**
- **Optional vaccine-mixing feature available** (magnetic stirrer).

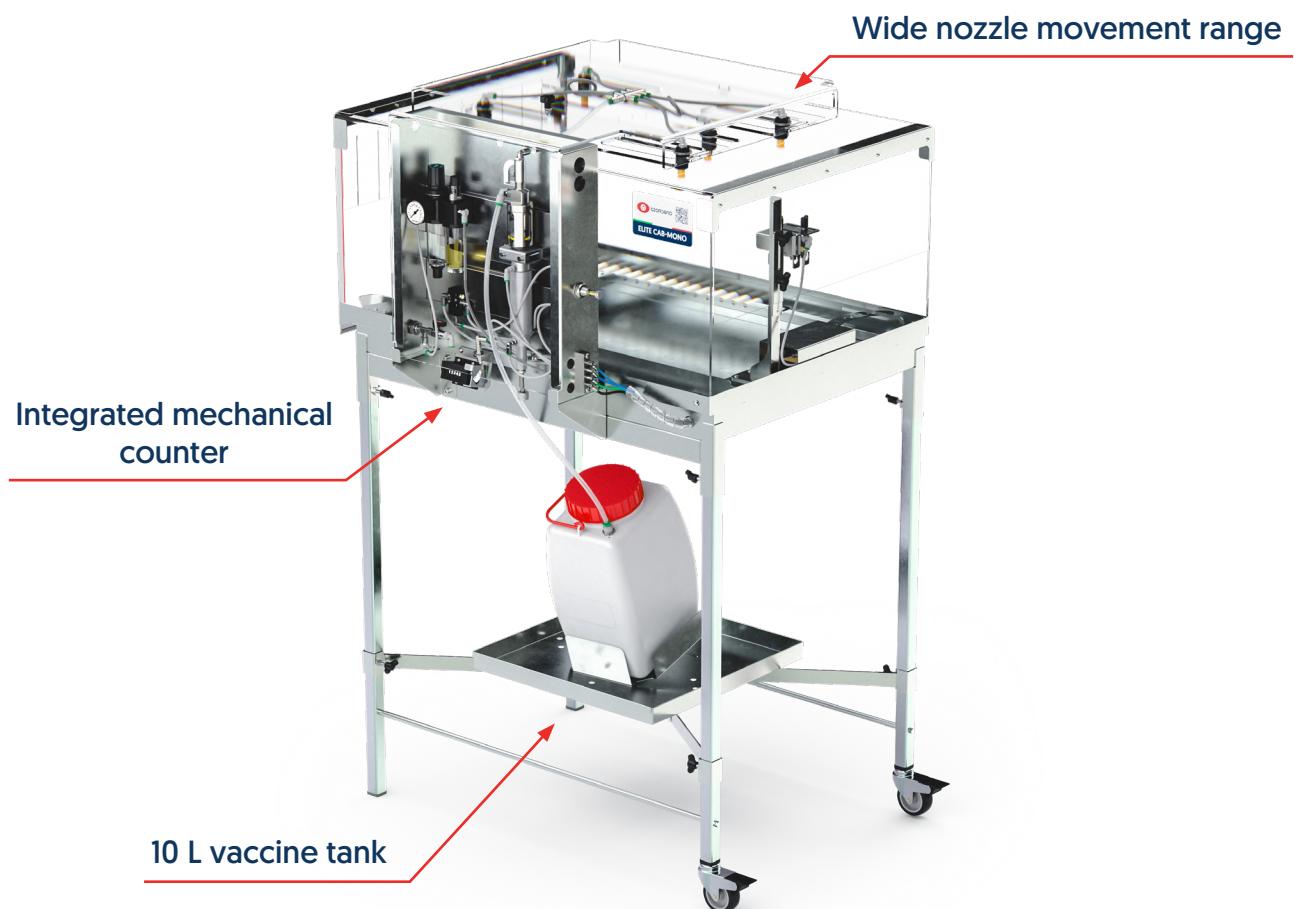
Medium / Small hatcheries

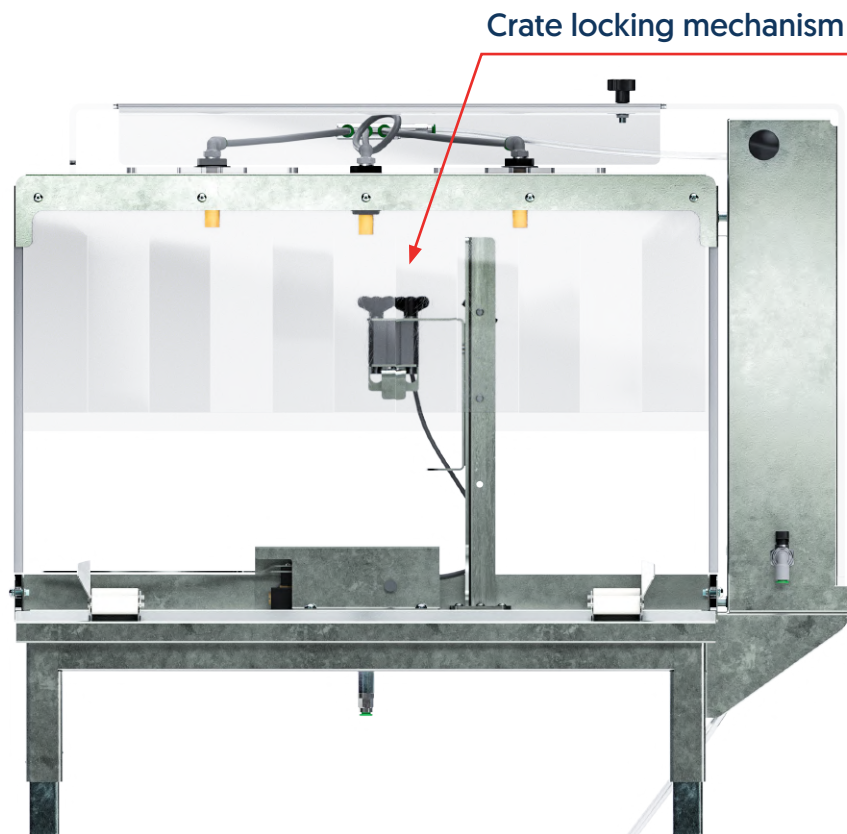
Operating pressure: 5 bar

Manual spray system

Up to 36000 birds / h

Spare parts available





## SPECIFICATIONS

ARTICLE CODE	0900170
SPEED	Up to 36000 chicks per hour
WEIGHT	39 kg
DIMENSIONS (H x D x L)	118 x 52 x 81 cm
MATERIALS	Stainless steel Rubber Polycarbonate
INCLUDED WITH	Extra nozzles Pneumatic oil 1 complete piston

## NOZZLE COLOUR - DROPLET SIZE

NOZZLE CODE/COLOUR	TYPE	DROP SIZE	DISEASE
TXA8001VK ORANGE 	CONE 80°	120	IB
TXA80015VK GREEN 	CONE 80°	160	IB / ND
TXA8002VK YELLOW 	CONE 80°	200	COX
TXA8003VK BLUE 	CONE 80°	250	COX

Consider a tolerance of  $\pm 20$  microns when increasing or decreasing the operating pressure.



[www.giordanoglobal.com](http://www.giordanoglobal.com)  
[info@giordanoglobal.com](mailto:info@giordanoglobal.com)

